

INSTRUCTIONS FOR THUMBPIECE OUTSIDE TRIM

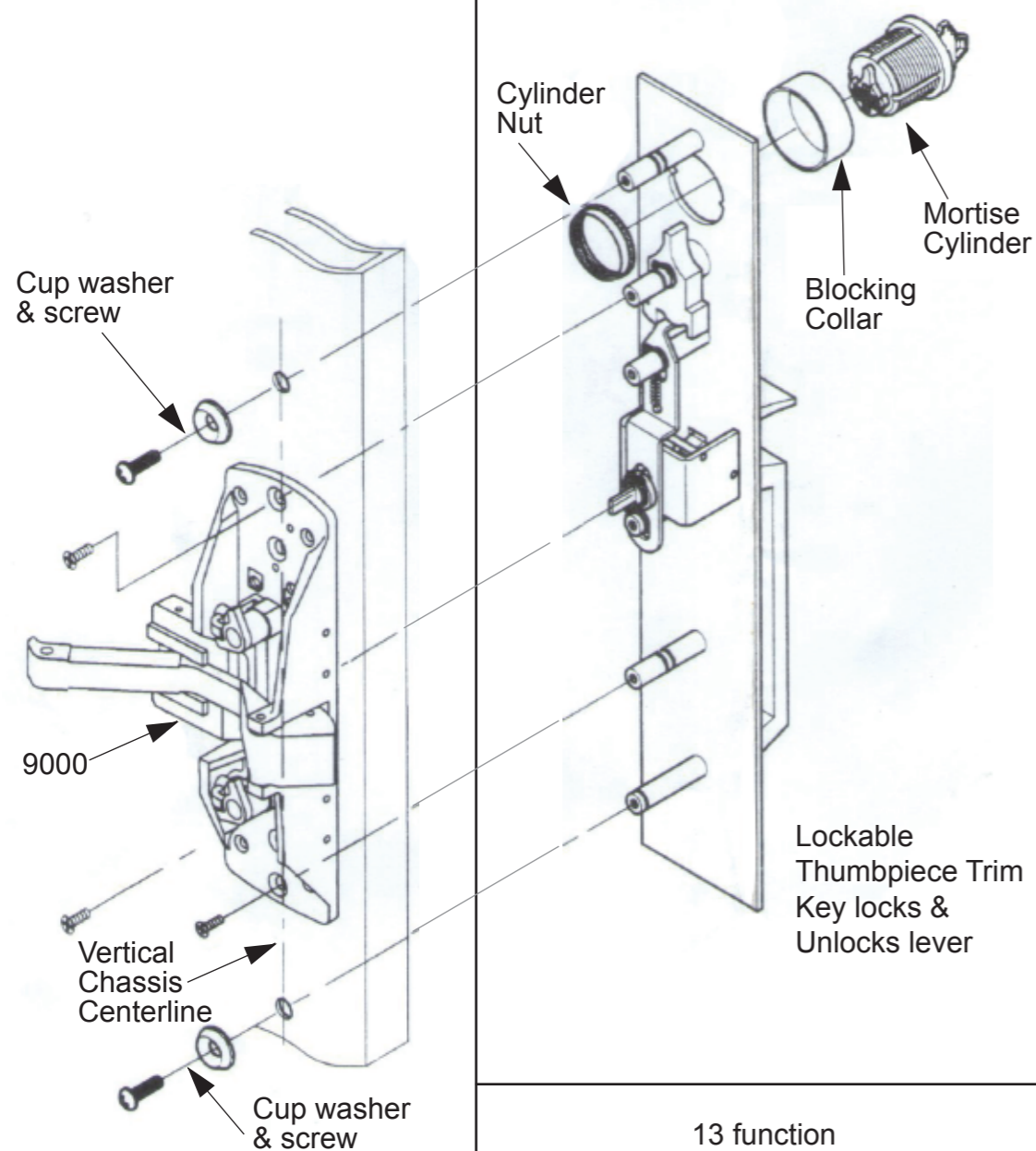
For 9000 Series Rim & Vert Rod Device

9000TP-00

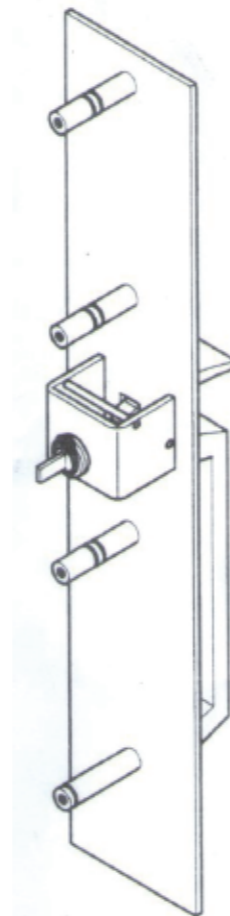
9000TP-30

9000TP-40

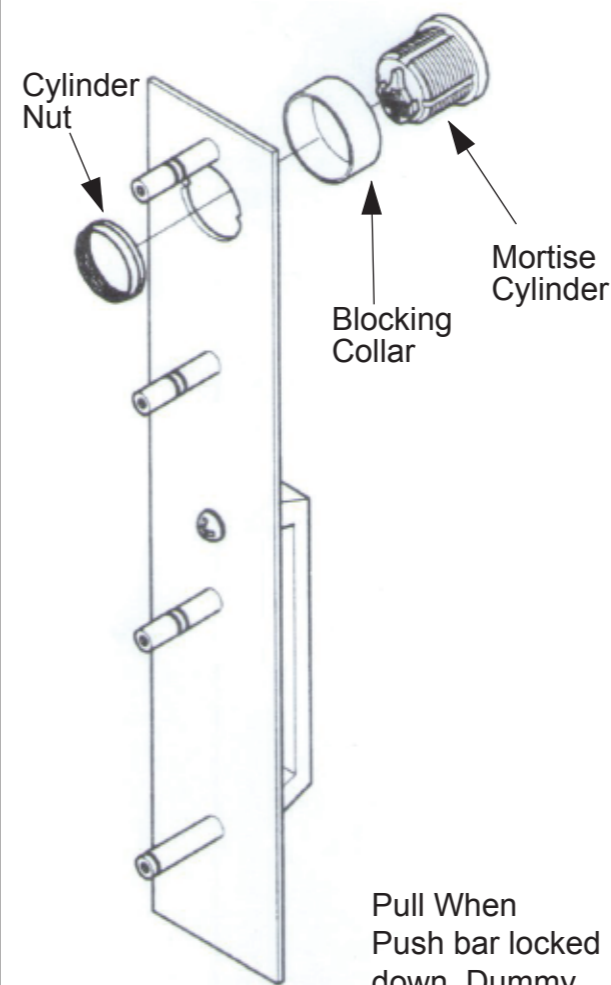
9000TP-05



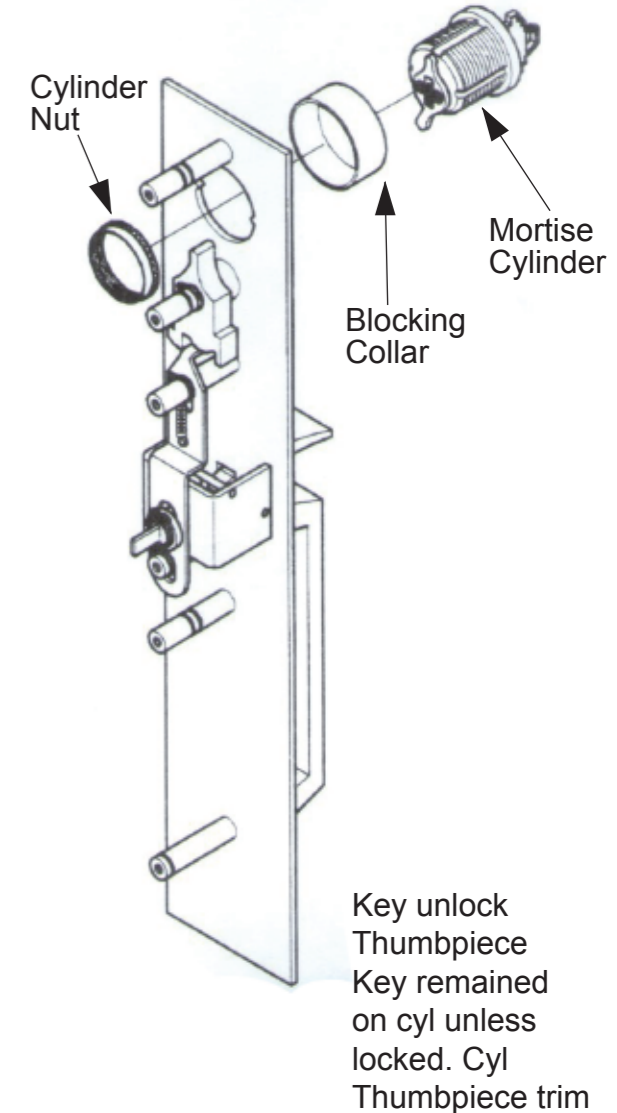
Lockable
Thumbpiece Trim
Key locks &
Unlocks lever



No Cyl,
Trim Always
Operable



Pull When
Push bar locked
down. Dummy
Thumbpiece
Trim



Key unlock
Thumbpiece
Key remained
on cyl unless
locked. Cyl
Thumbpiece trim

13 function
Entrance

15 function
Passage

10 function
Dummy

04 function
Storeroom

ATTACH THE COLLAR AND MORTISE CYLINDER TO THE TRIM PLATE WITH THE MORTISE NUT
ATTACH TRIM TO DOOR THRU BOLTING (2) SCREWS TO THE CHASSIS & THE (2) CUP WASHERS AND SCREWS AT THE TOP & BOTTOM TO THE DOOR.

ATTACH TRIM TO DOOR THRU BOLTING THE (2) SCREWS TO THE CHASSIS & (2) CUP WASHERS AND SCREWS AT THE TOP & BOTTOM TO THE DOOR.

ATTACH TRIM TO DOOR THRU BOLTING THE (2) SCREWS TO THE CHASSIS & (2) CUP WASHERS AND SCREWS AT THE TOP & BOTTOM TO THE DOOR.

ATTACH THE COLLAR AND MORTISE CYLINDER TO THE TRIM PLATE WITH THE MORTISE NUT.
ATTACH TRIM TO DOOR THRU BOLTING (2) SCREWS TO THE CHASSIS & THE (2) CUP WASHERS AND SCREWS AT THE TOP & BOTTOM TO THE DOOR.