

Year : 2015

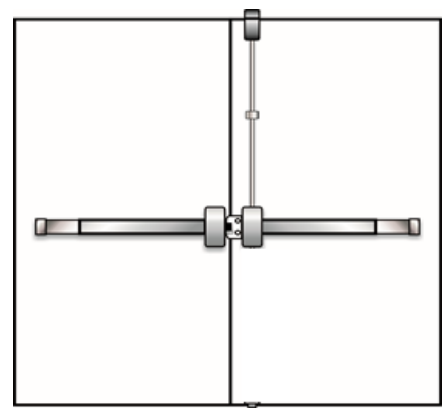
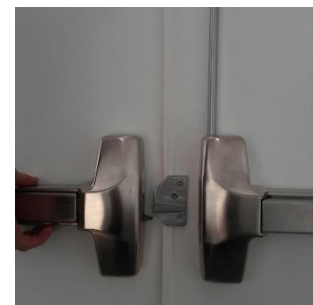
Marine Biotechnology in Korea



The National Research Laboratory (NRL) programme was launched in 1999 to identify needs for research centres of excellence and support them in improving technological competitiveness. MEST provides approximately \$250,000 a year for five years to each NRL project, of which there are now over 440, mainly in universities and research institutes but including 52 in industry. Relevant NRLs include the Marine Molecular and Environment Biosciences Laboratory at Hanyang University [11]) and the NRL for Marine Microbial Diversity at KIOST.

Installed Luter Products :

Model: FC5500+FC5600 Less Bottom Rod



COPYRIGHT © LUTER ENTERPRISE CO., LTD. All Right Reserved.