

Lutér

Interchangeable Core Locks

Service Manual



Lutér

Small Format Interchangeable Core (SFIC) locks

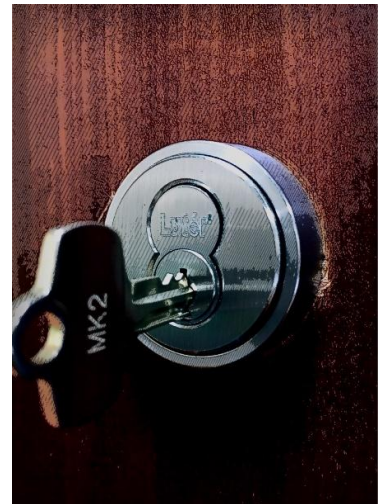
A special control key unlocks and allows removal from the front of the lock of the core. New cores can be swapped in and out in a few seconds are required, not to use for tools on special locksmith skills.

Luter's SFIC locks come in 6 and 7 pins versions and can use the same key for either(KA), this allows up to 10,000,000 distinct keys per keyway(KD).

The control key (cut out the same blank and otherwise indistinguishable from a regular key) turns to degrees clockwise to disengage a retaining tab that locks the core in the housing.

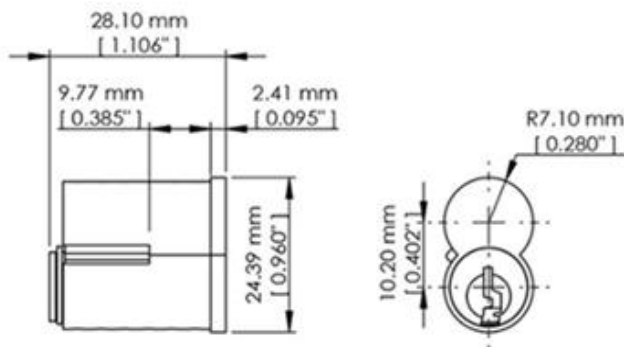
The core pulls out while the housing stays in place in the door.

SFIC housing are also manufactured for rim cylinders, key-in knob locks, padlocks, cabinet locks electrical switches, etc.



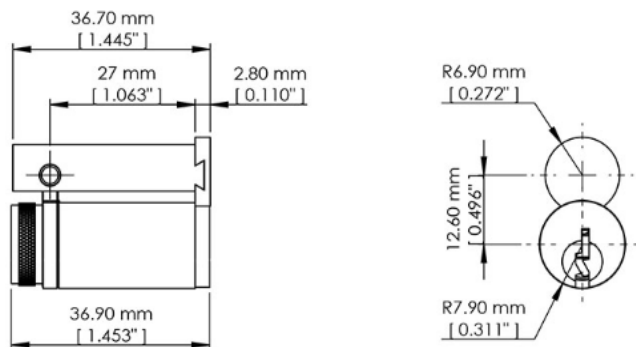
SFIC

Small Format Interchangeable Core
Removable Cylinder:



LFIC

Large Format
Interchangeable Core



Service Manual

Material

Body : Solid Brass

Cylinder: Body, plug and pin are brass

Keys

Rekeysable & changeable 5 pin , 6 pin , 7pin
Nickel Silver key with 3 keys.

With over 10,000,000 Codes available, easy re-key (re-pin) gives this Core the rsatility and Flexibility in any security applications.

Code Configuration:

UF	Blank Core
KA	key Alike
KD	Key Different
MK	Master Key System
GK	Grand Master Key System
GG	Great Grand Master Key System

Master Key control systems available from MK to GGGMK.

Please inquire more for Master key system requirements.

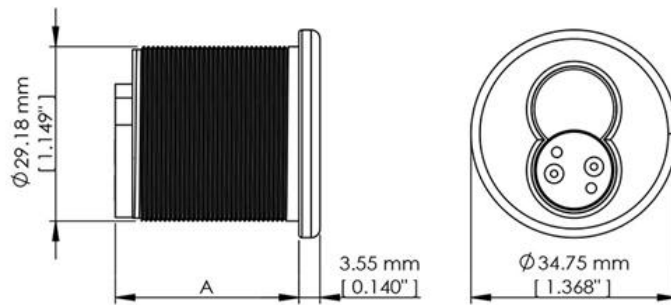
SFIC Mortise Cylinder Housing



Length (A) : 35mm (for 7 pins)
32mm (for 6 pins)

With Luter cam

Finish: US32D / US26D



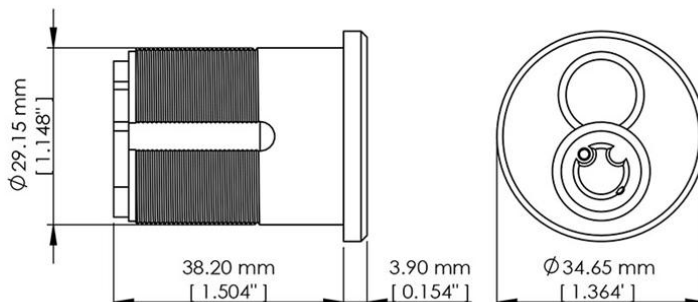
LFIC Mortise Cylinder Housing



Length (A) : 35mm (for 7 pins)
32mm (for 6 pins)

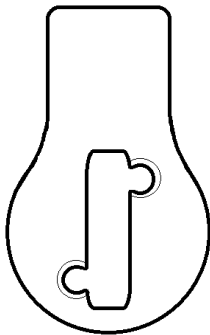
With Luter cam

Finish: US32D / US26D

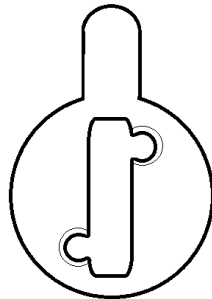


Cams

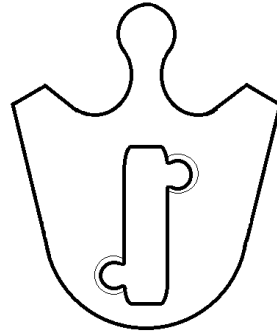
Other designs are available upon request. All cams available are designed for use on Lutér mortise cylinders. If you are using a Lutér cylinder in another manufacturer's lockset and find that it does not operate properly for any reason, please contact us immediately.



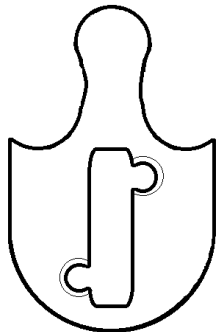
#1 Best



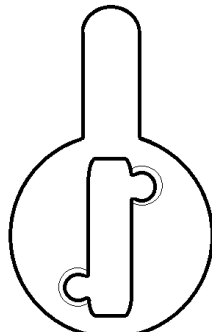
#2 Adams Rite



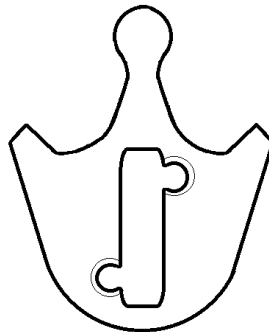
#3 Corbin, arrow Mortise



#4 Schlage L Mortise



#5 Sargent



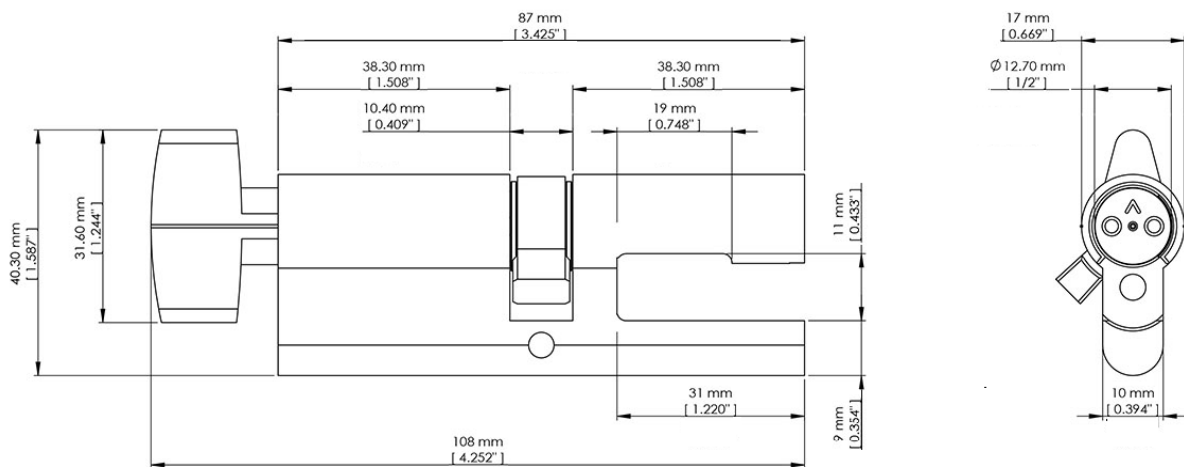
#6 Best

SFIC Euro Profile Single Cylinder Housing



Service Manual

Euro Profile Cylinder Housing (Single)
Length : 87 (42 + 45 T)mm
Finish: US26D, US15, US4 etc.

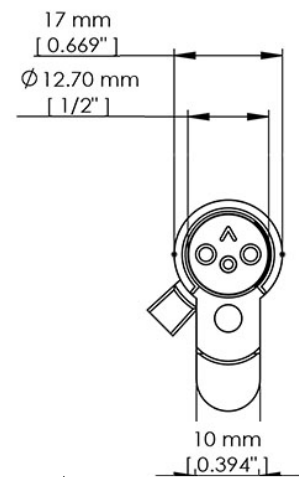
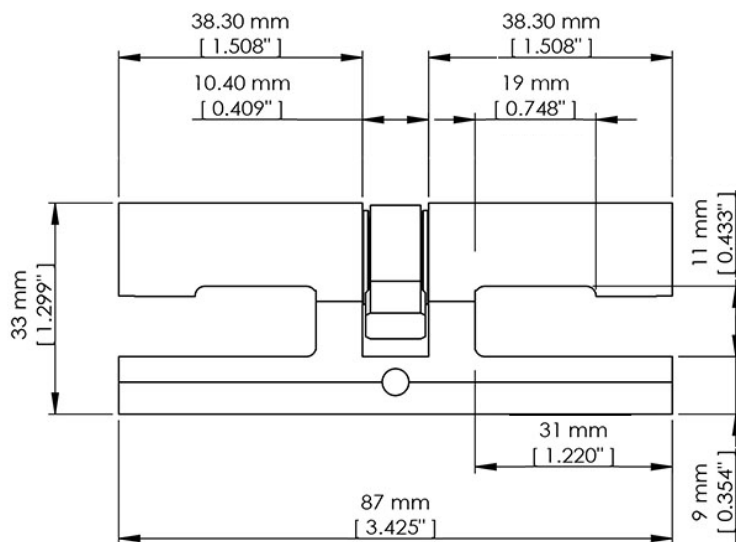


SFIC Euro Profile Double Cylinder Housing



Service Manual

Euro Profile Cylinder Housing (Double)
Length: 86 (43 + 43)mm
Finish: US26D, US15, US4 etc.

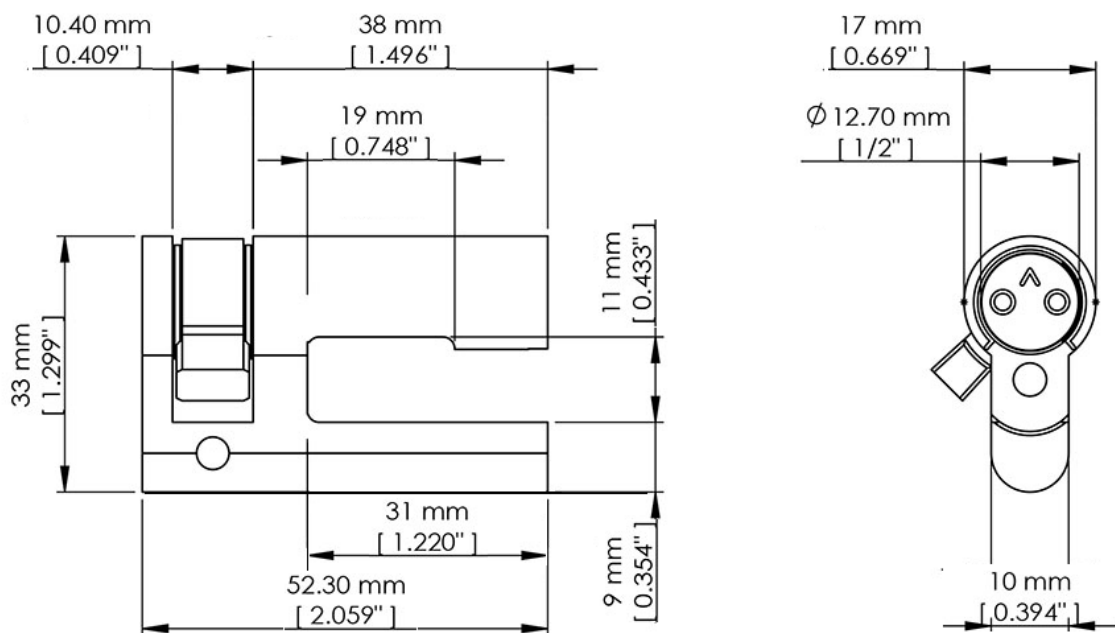


SFIC Euro Profile Half Cylinder Housing

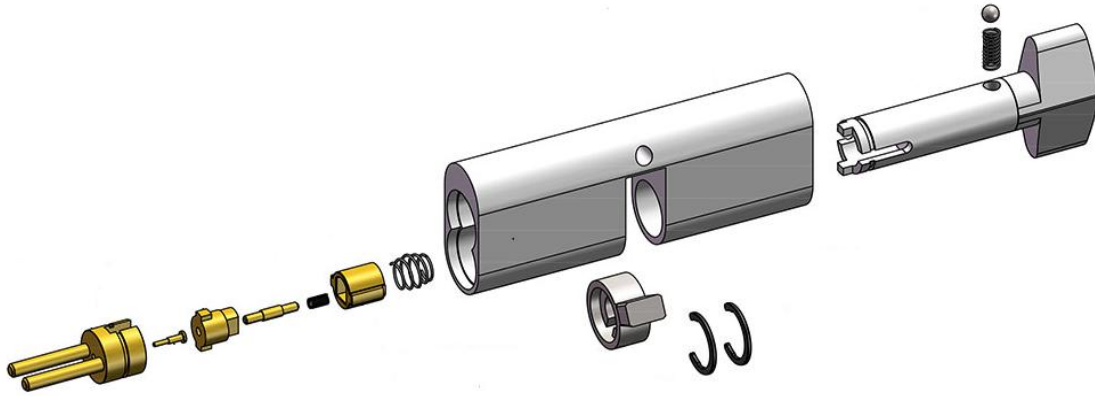


Euro Profile Cylinder Housing (Half)
Length: 53 (43 + 10)mm
Finish: US26D, US15, US4 etc.

Service Manual

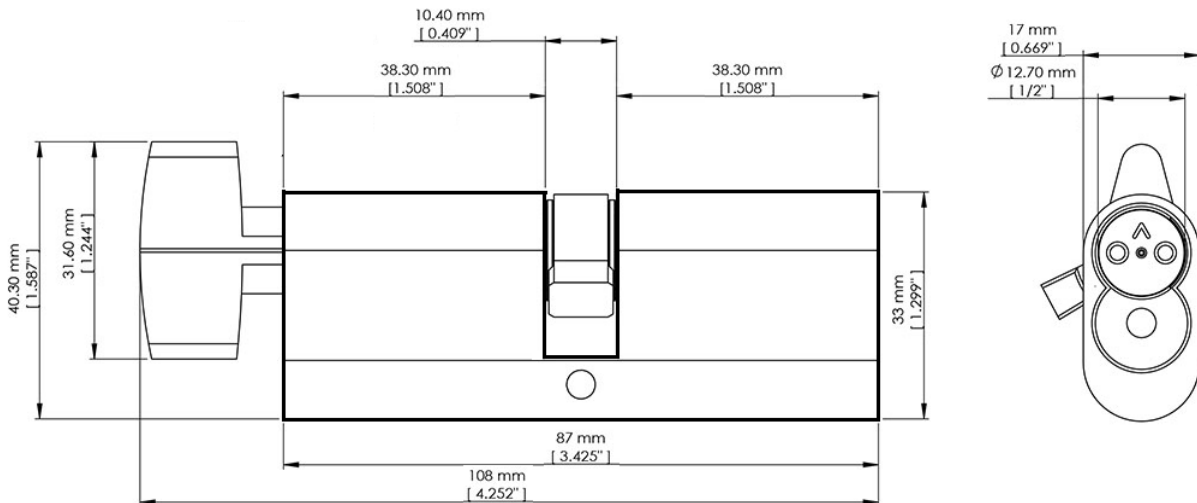


SFIC Euro Profile Oval Cylinder Housing



Euro Profile Cylinder Housing (Oval)
Length: 87 (43.5 + 43.5)mm
Finish: US26D, US15, US4 etc.

Service Manual



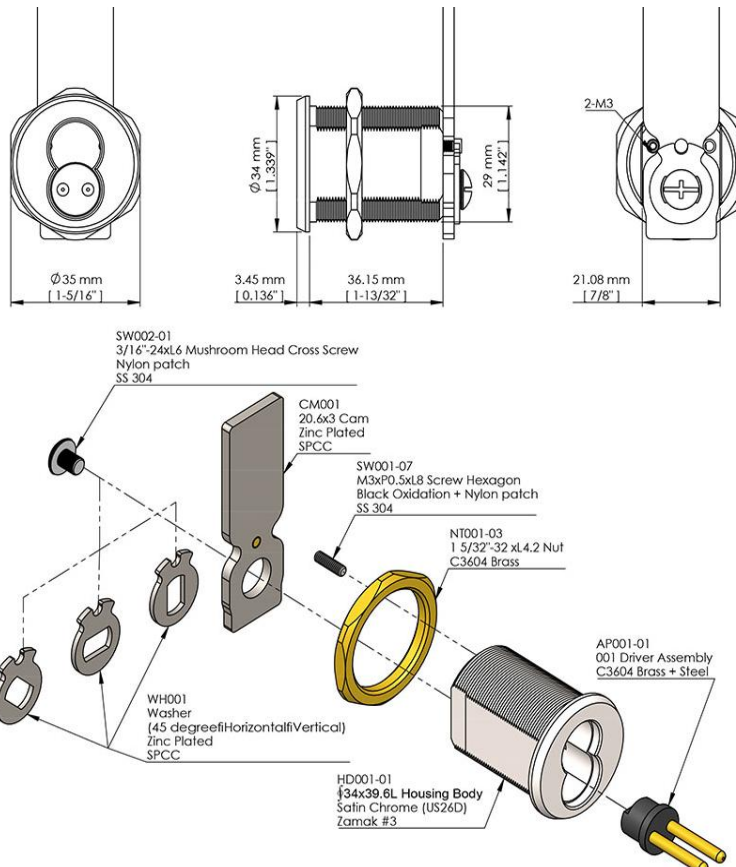
SFIC Cam Cylinder Housing



Standard Accessories:
Mounting Screws
Mounting Plate
Cam Stops

Description:

Available in Conventional, SFIC prep, or LFIC prep Specify Keyway on
 Conventional cylinders (Schlage C and best Keyways standard)
 Conventional cylinders are 5 pin, 6-Pin , 7-pin standard
 Machined from solid bar brass
 Shipped with collar, mounting plate and break-off screws



Standa
 Mounting Screws
 Mounting Plate
 Cam Stops

Lutér

Rim Cylinder Housing



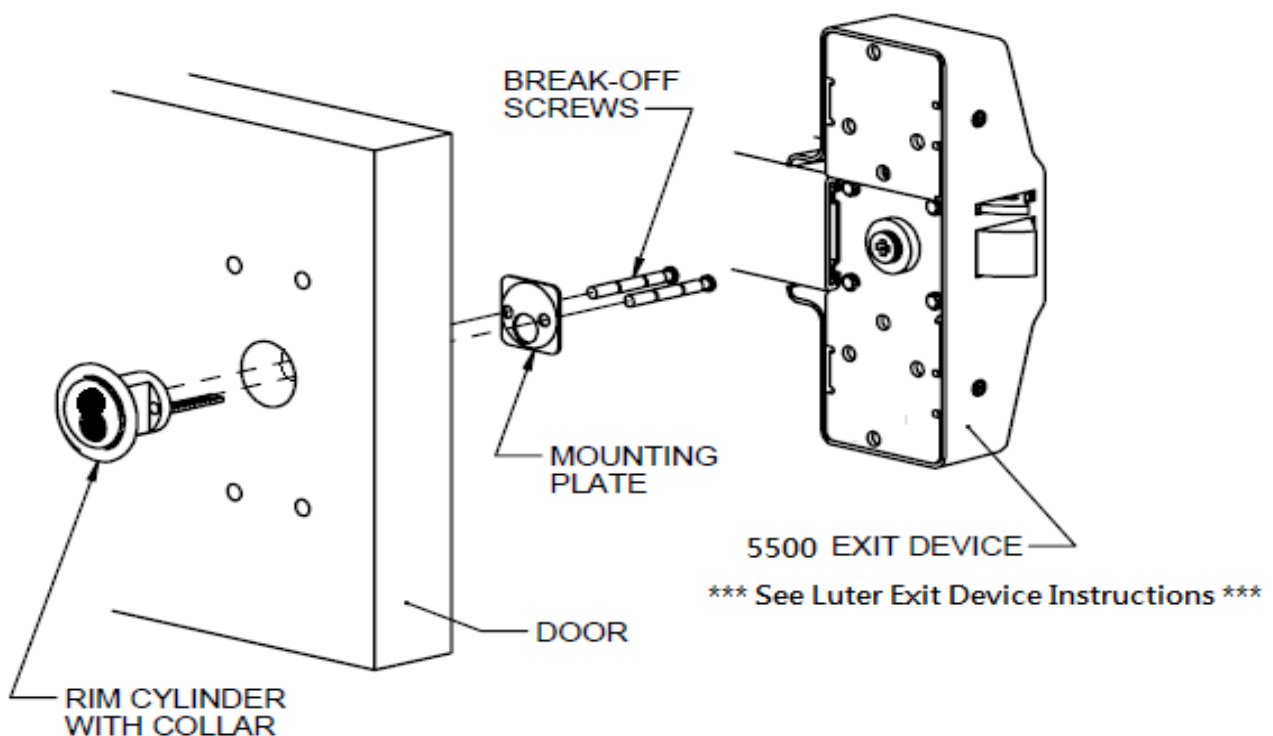
Description:

Available in Conventional, SFIC prep, or LFIC prep Specify Keyway on Conventional cylinders (Schlage C and best Keyways standard)

Conventional cylinders are 5 pin , 6-Pin , 7-pin standard

Machined from solid bar brass

Shipped with collar, Long tail, mounting plate and break-off screws



G -SERIES SOLID BRASS PADLOCK



Application

High security for general use.

Operation

The shackle is locked by a double stainless steel ball bearing mechanism.

Unlocking with 90 degree key rotation.

Material

Body : Solid Brass

Shackle : Hardened Boron stainless steel

Cylinder: Body, plug and pin are brass

Keys

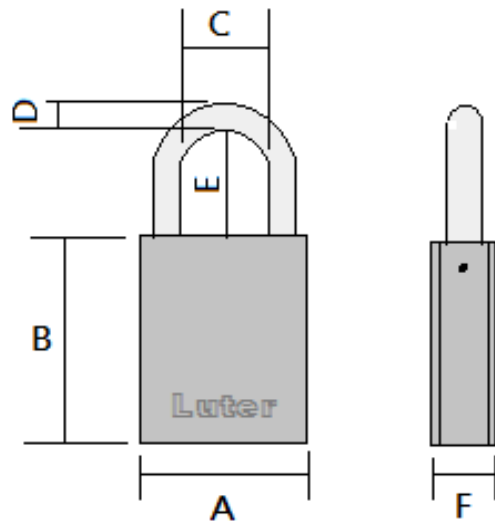
Rekeysable & changeable 6 pin brass anti-bump

Nickel Silver key with 3 keys

Cylinder Options

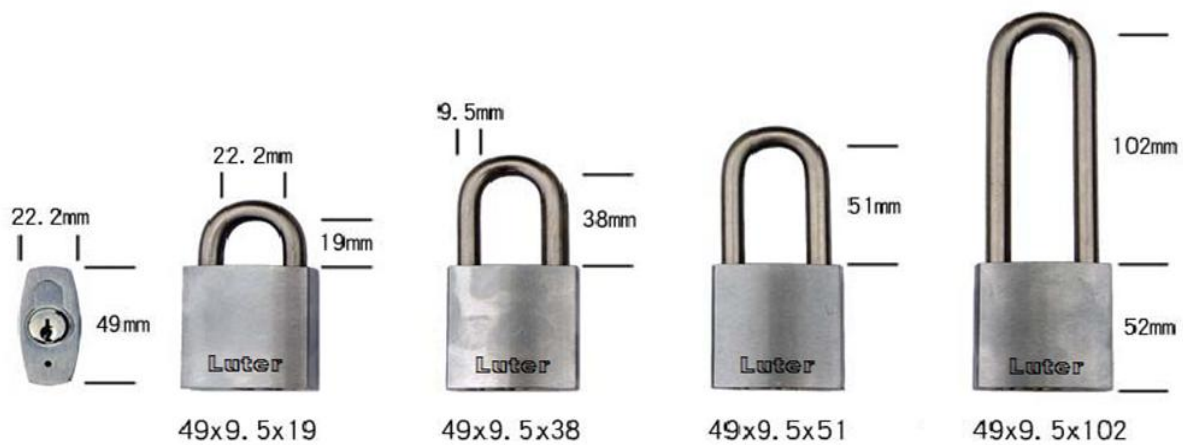
Schlage keyway

Keyed different Keyed alike Master keyed



Model No.	Dimension (mm)								
	Lock body			Shackle					
	A	B	F	D	C	E1	E2	E3	E4
G-41	41.2	52	19.7	6.3	22.2	19	38	51	102
G-45	45	52	20.2	8	22.2	19	38	51	102
G-49	49	52	22.2	9.5	22.2	19	38	51	102

Lutér



Service Manual

Lutér

G -SERIES SOLID BRASS PADLOCK

Small Format Interchangeable Core



Application

High security for general use.

Operation

The shackle is locked by a double stainless steel ball bearing mechanism.

Unlocking with 90 degree key rotation.

Material

Body : Solid Brass

Shackle : Hardened Boron stainless steel

Cylinder: Body,plug and pin are brass

Keys

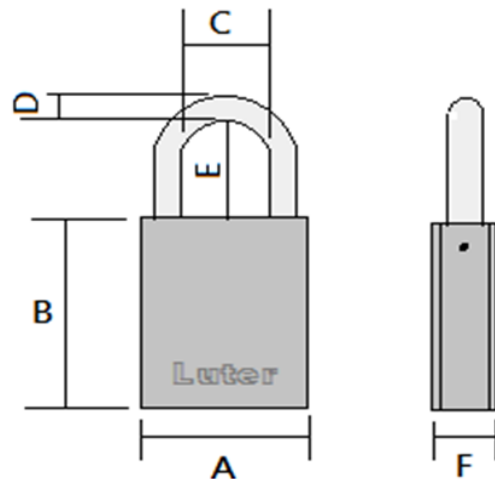
Rekeysable & changeable 6 pin brass anti-bumb

Nickel Silver key with 3 keys

Cylinder Options

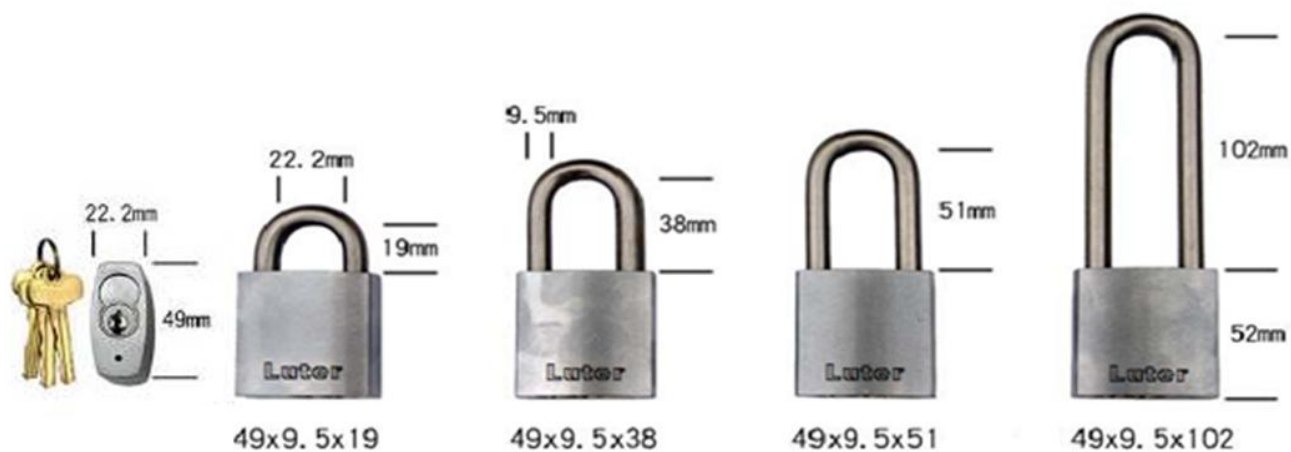
Best keyway

Keyed different, Keyed alike, Master keyed



Model No.	Dimension (mm)								
	Lock body			Shackle					
	A	B	F	D	C	E1	E2	E3	E4
G-41	41.2	52	19.7	6.3	22.2	19	38	51	102
G-45	45	52	20.2	8	22.2	19	38	51	102
G-49	49	52	22.2	9.5	22.2	19	38	51	102

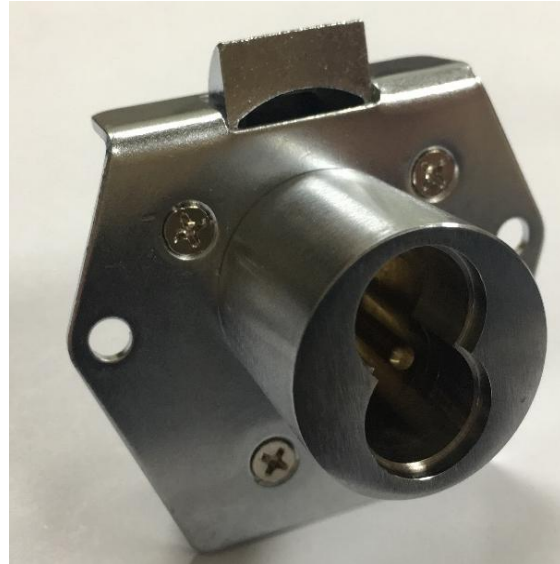
Lutér



Lutér

Luter SFIC Cabinet / Drawer Lock

The Luter Drawer lock can be used to secure drawers and doors on cabinets, desks, and other common items. It has a square body with a latchbolt that raises above the top of the lock to prevent access. The lock mounts on the inside so the cylinder protrudes out the front of the lock and through to the outside of the cabinet door or drawer.



Manufacturer : Luter Enterprise

Manufacturer Location : Taiwan ROC

Material : steel

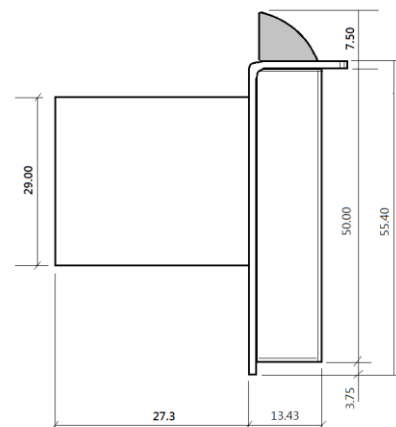
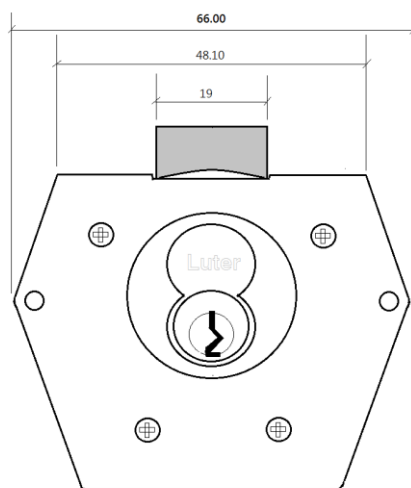
Type : cabinet lock, Drawer Lock

Style: traditional

Cylinder Length: 1.1 in.(27.7 mm)

SFIC : 5 pin, 6 pin, 7 pin.

Bolt Travel: 0.3in.(7.5mm)

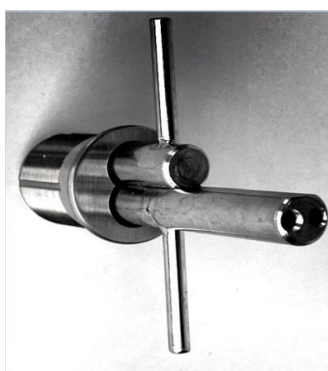


Installation Tool for SFIC Cylinders

Interchangeable (Removable) Core and Small Format Interchangeable Core Mortise Housings



These tool make it easy to thread a cylinder body into a Mortise lock and can also help check the cylinder cam in a lock before installing the cylinder core.



Interchangeable (Removable)



Interchangeable Core Core Installation Tool