



Concealed & Surface Overhead Holders and Stops





Concealed & Surface Overhead Holders and Stops

033 Series Standard Duty Concealed Application Information



Function:

33S - Concealed stop only

33H - Concealed selective on/off hold open

Conforms to ANSI A156.8 / BHMA CO7543

Conforms to ANSI A156.8 / BHMA CO7513

* Limits door swing.

* Non-handed.

Finishes

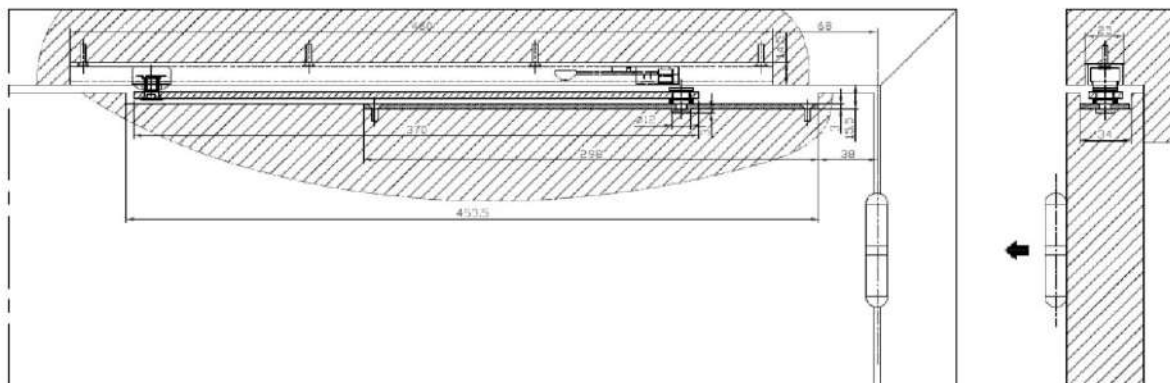
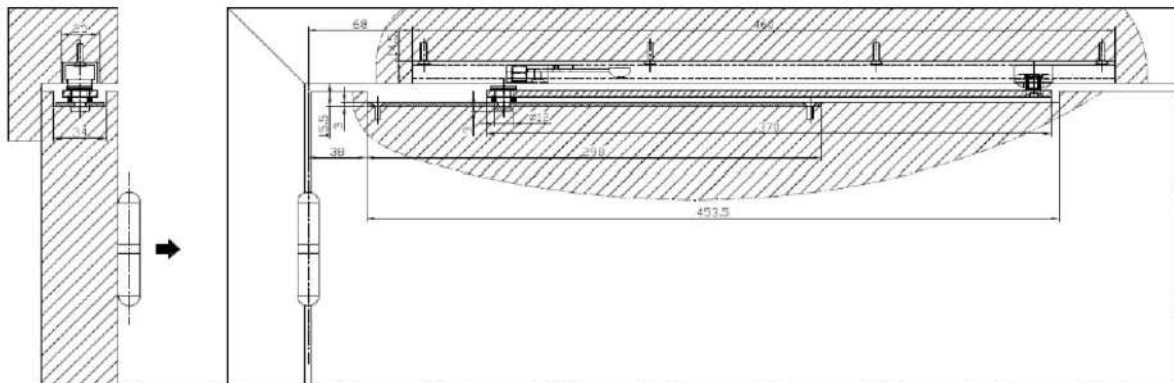
* Aluminum

* Dark Bronze

* Gold

* Black

Dimension: 460 (L) x 23 (W) x 14.5 (H) mm





Concealed & Surface Overhead Holders and Stops

041 Series Heavy Duty Surface Application Information



Function:

41S - Surface stop only

41H - Surface selective on/off hold open

Conforms to ANSI A156.8 / BHMA CO2541

Conforms to ANSI A156.8 / BHMA CO2511

* Limits door swing.

* Non-handed.

* Endcaps are furnished in matte black.

Finishes

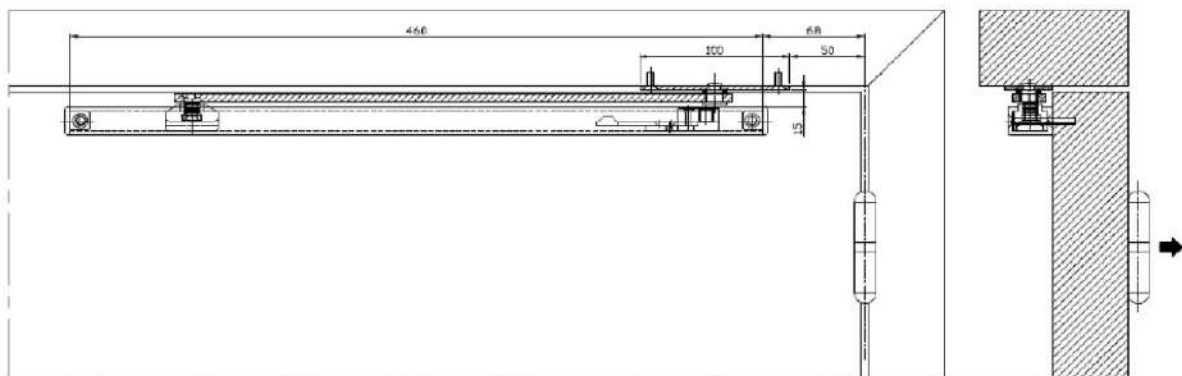
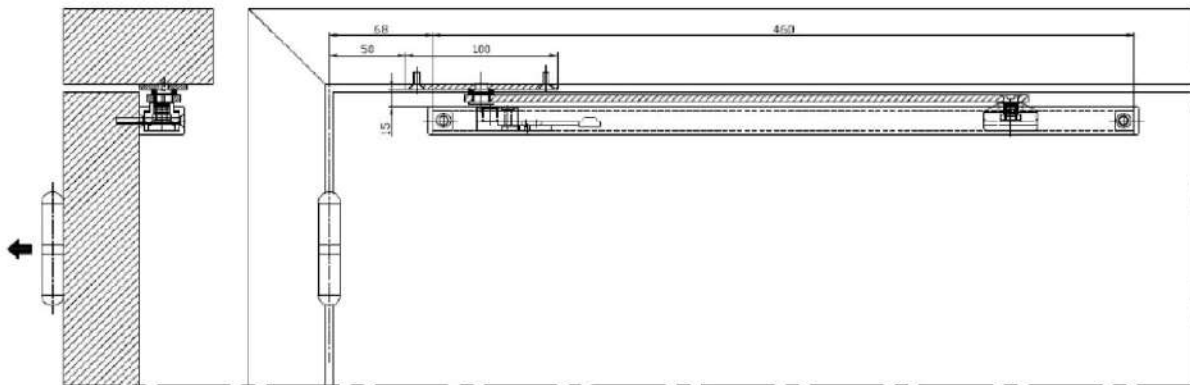
* Aluminum

* Dark Bronze

* Gold

* Black

Dimension: 460 (L) x 29 (W) x 19 (H) mm



COPYRIGHT © LUTER ENTERPRISE CO., LTD. All Right Reserved.



Concealed & Surface Overhead Holders and Stops

042 Series Heavy Duty Surface Application Information



Function:

42S - Surface stop only

42H - Surface selective on/off hold open

Conforms to ANSI A156.8 / BHMA CO2541

Conforms to ANSI A156.8 / BHMA CO2511

* Limits door swing.

* Non-handed.

* Endcaps are furnished in matte black.

Finishes

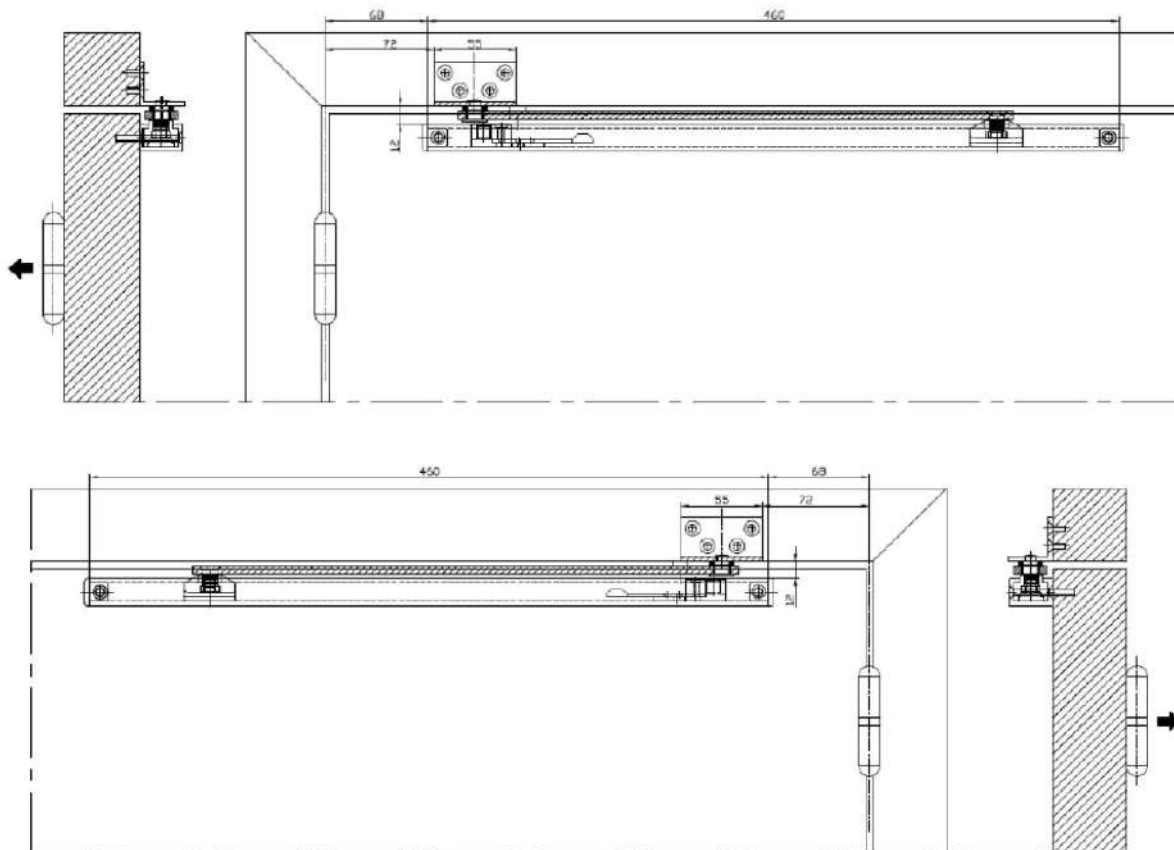
* Aluminum

* Dark Bronze

* Gold

* Black

Dimension: 460 (L) x 29 (W) x 19 (H) mm





Concealed & Surface Overhead Holders and Stops

043 Series Heavy Duty Concealed Application Information



Function:

43S - Concealed stop only

43H - Concealed selective on/off hold open

Conforms to ANSI A156.8 / BHMA CO1541

Conforms to ANSI A156.8 / BHMA CO1511

* Limits door swing.

* Non-handed.

Finishes

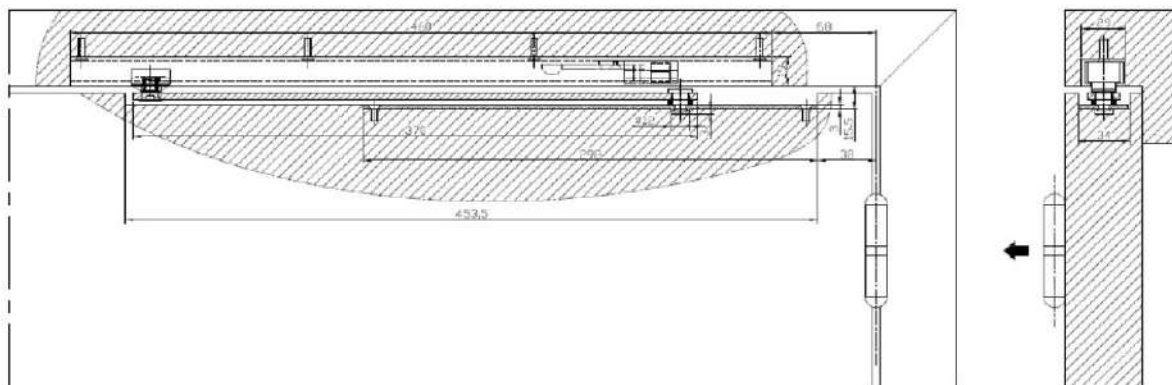
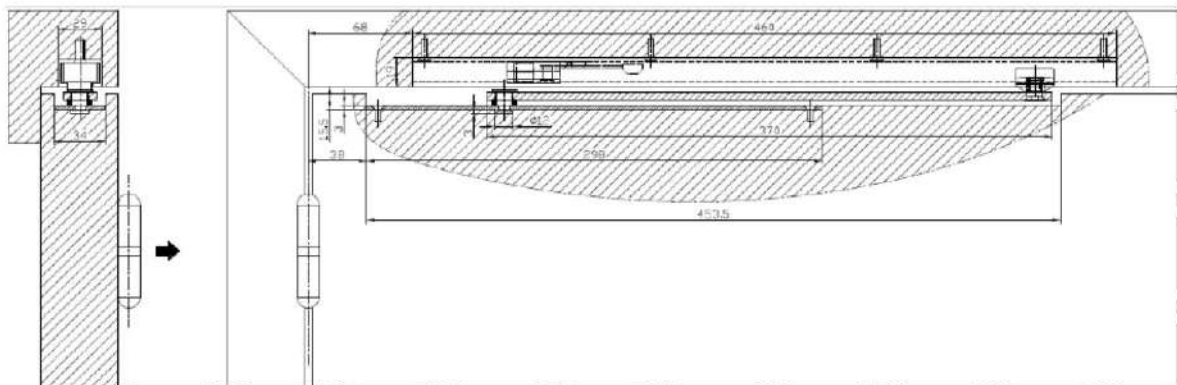
* Aluminum

* Dark Bronze

* Gold

* Black

Dimension: 460 (L) x 29 (W) x 19 (H) mm



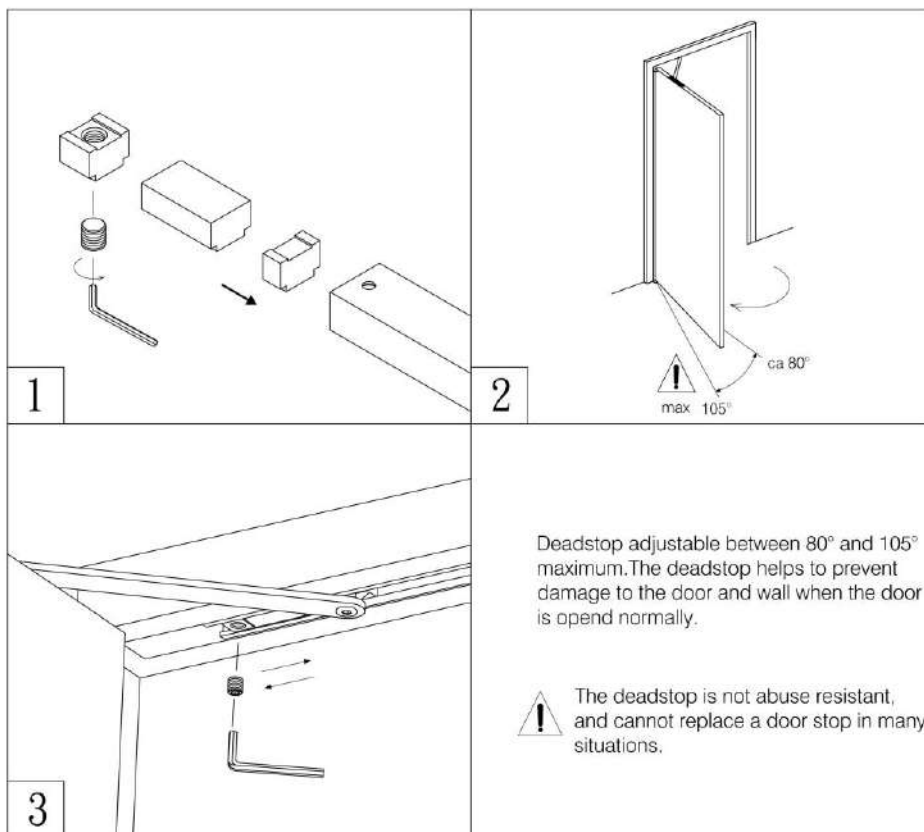
COPYRIGHT © LUTER ENTERPRISE CO., LTD. All Right Reserved.

Back check cushion / Opening damper

Optional component for "Surface stop only function"



88





HOW TO ORDER

Model no.:

041 - S - Finish

Aluminum

Brown

Black

Gold

S : Stop Only

H : Selective on/off Hold Open

Arm:

- 1



- 2



- 3



04 : Surface Overhead Holders and Stops

03 : Concealed Overhead Holders and Stops

(Concealed type can only assort with "arm 1 and 3")

(Track width 29" is heavy duty, track width 23" is standard duty)